



Proudly Engineered,
Tested / Listed,
and Manufactured
in the USA



VoltAire Systems **HIX Series Cross-Flow** Heat Exchangers are designed to remove heat from cabinets that have sensitive electronics or telecommunications equipment. All of our heat exchangers are closed loop cooling, ensuring an interior cabinet environment free of dust and humidity.

Standard Features

- UL Recognized
- Closed-loop certified UL Type 4(X) cooling for outside plant applications
- Fan speed and alarm control board (48VDC models only)
- High-performance centrifugal fans
- Epoxy-coated aluminum cross-flow core
- Designed in accordance with GR-487 specifications
- Stainless steel hardware
- Powder coated aluminum cover
- Corrosion resistant Acrylume enclosure specifications

Optional Features

- Stainless steel cover
- Fan on/off temperature control (115/230VAC Models)
- Custom paint finishes

Applications

- Radio base stations
- Telecom shelters, indoor & outdoor OSP cabinets
- Network switching rooms and computer rooms
- Oil and gas equipment
- Mining equipment
- Automation control cabinets, process control centers
- CNC machines
- Drive cabinets
- Solar cabinets
- Digital advertisement boards and kiosk display systems
- Power supply cabinets, battery cabinets and rectifier cabinets
- Power distribution cabinets





Website:
www.voltairesys.com

Phone:
(407) 378-7482

Address:
2900 W. Orange Ave. Ste. 100
Apopka, FL 32703

VoltAire Doc. #BC0117F
Published Feb 21, 2020

Technical Data

Model	H*X18 (48VDC Only)	H*X25 (48VDC Only)	H*X35	H*X45	H*X55
Performance					
Cooling Capacity	18W/F-33W/C	25W/F-45W/C	35W/F-63WC	45W/F-81W/C	55W/F-99W/C
Operational Temperature (°F / °C)	-40 to 158 / -40 to 70				
Sound at 3m (dBa)	60	61	64	65	68
Electrical Data					
Voltage Input	Current Draw (Amps)				
48 VDC	1.5	1.5	3.1	3.1	4.3
115 VAC (50/60 Hz)	Not Available	Not Available	3.4	3.4	3.5
230 VAC (50/60 Hz)	Not Available	Not Available	0.9	1.9	1.9
Unit Dimensions¹					
Height (in/mm)	22.8 / 579		35.5 / 902		
Width (in/mm)	11.8 / 300		17.6 / 447		
Depth (in/mm)	4.8 / 122	5.3 / 135	5.3 / 135	6.5 / 165	8.5 / 216
Weight (lbs/kg)	19.2 / 8.7	20.1 / 9.1	40.3 / 18.3	45.6 / 20.7	47.5 / 21.5
Approvals					
		UL 1995 and Type 4(X)			

¹ For reference view, please use figure found in the Unit Overview and Cabinet Cutouts section



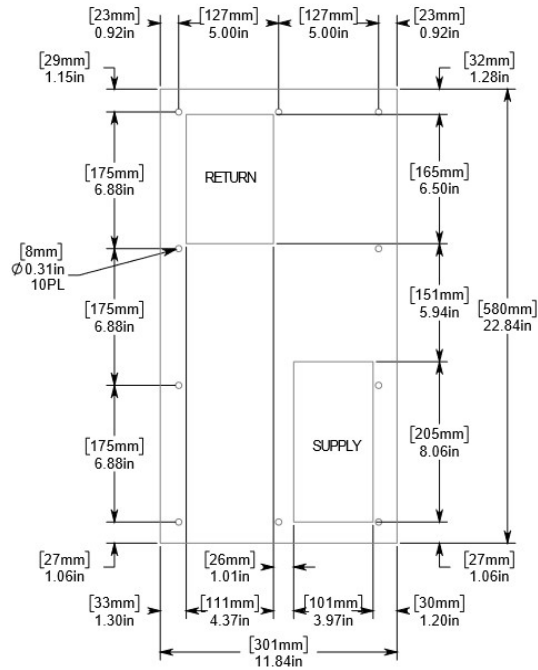
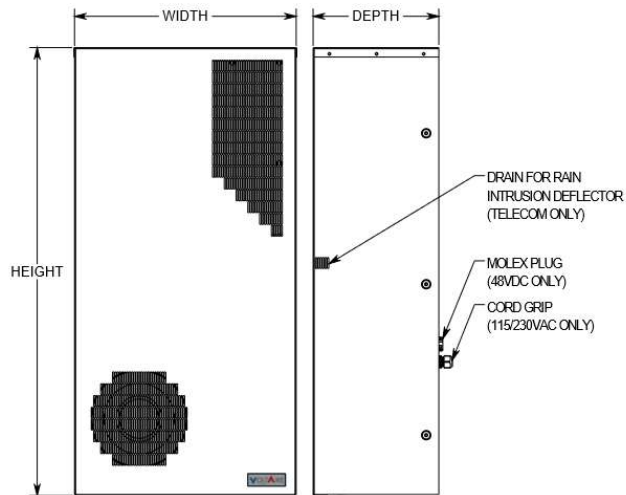
Website:
www.voltairesys.com

Phone:
(407) 378-7482

Address:
2900 W. Orange Ave. Ste. 100
Apopka, FL 32703

VoltAire Doc. #BC0117F
Published Feb 21, 2020

Unit Overview and Cabinet Cutouts



HIX18 and HIX25

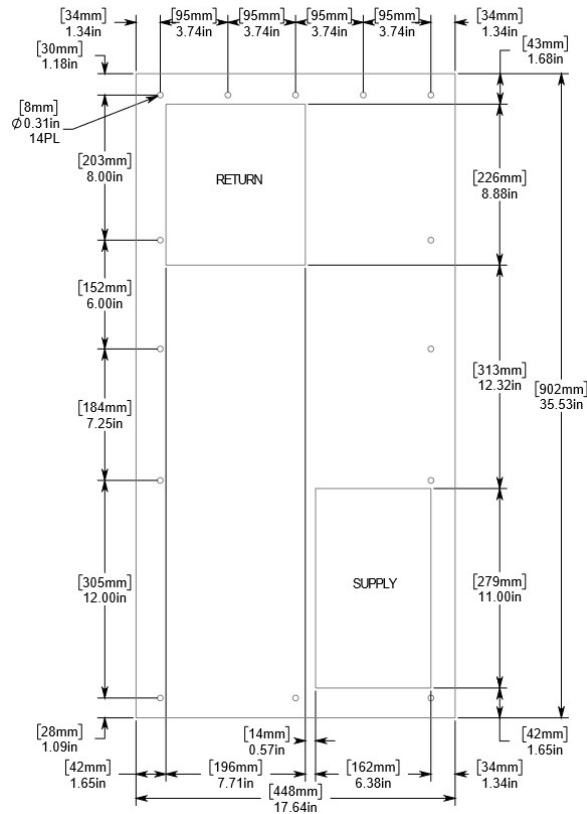


Website:
www.voltairesys.com

Phone:
(407) 378-7482

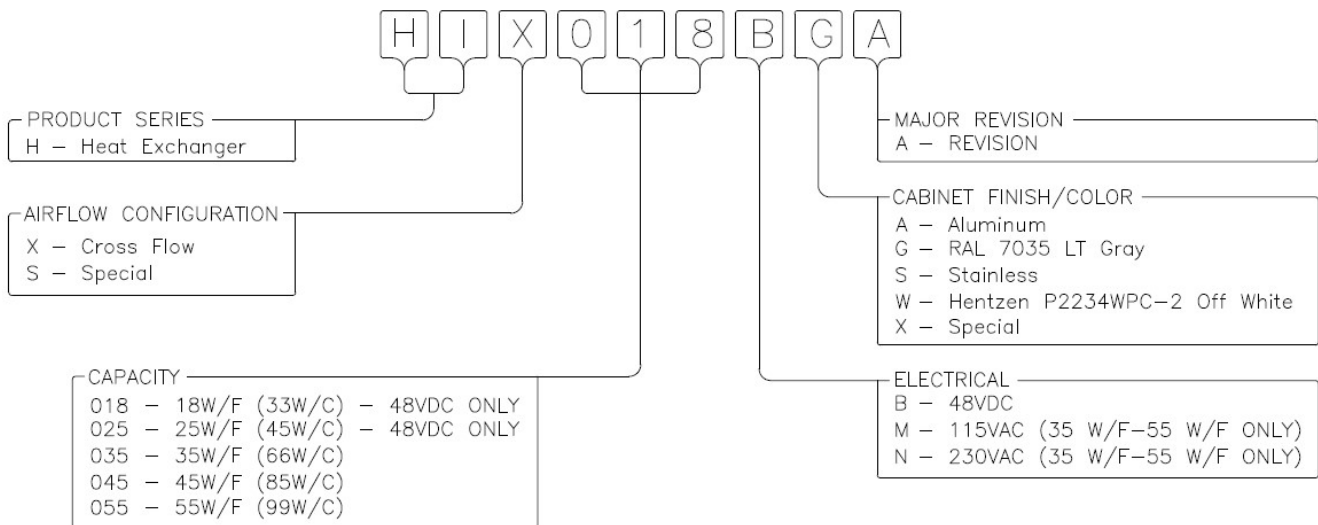
Address:
2900 W. Orange Ave. Ste. 100
Apopka, FL 32703

VoltAire Doc. #BC0117F
Published Feb 21, 2020



HIX35, HIX45, and HIX55

Product Nomenclature



Website:
www.voltairesys.com

Phone:
(407) 378-7482

Address:
2900 W. Orange Ave. Ste. 100
Apopka, FL 32703

VoltAire Doc. #BC0117F
Published Feb 21, 2020