

Counter Flow Series (HTC) Heater Exchanger



Proudly Engineered,
Tested / Listed,
and Manufactured
in the USA



VoltAire Systems **HTC Series Counter Flow** Heat Exchangers are designed to remove heat from cabinets that have sensitive electronics or telecommunications equipment. All of our heat exchangers are closed loop cooling, ensuring an interior cabinet environment free of dust and humidity.

Standard Features

- UL Recognized
- High-performance fans
- Fan speed and alarm control board
- Closed-loop certified UL NEMA Type 4 cooling for outside plant applications
- Epoxy-coated aluminum counter-flow core
- Designed in accordance with GR-487 specifications
- Stainless steel hardware
- Powder coated aluminum cover
- Corrosion resistant Acrylume enclosure

Optional Features

- Stainless steel cover (Type 4X)
- Custom paint finishes

Applications

- Radio base stations
- Telecom shelters, indoor & outdoor OSP cabinets
- Network switching rooms and computer rooms
- Oil and gas equipment
- Mining equipment
- Automation control cabinets, and process control centers
- CNC machines
- Drive cabinets
- Solar cabinets
- Digital advertisement boards and kiosk display systems
- Power supply cabinets, battery cabinets and rectifier cabinets
- Power distribution cabinets



Website:
www.voltairesys.com

Phone:
(407) 378-7482



Address:
2900 W. Orange Ave. Ste. 100
Apopka, FL 32703

VoltAire Doc. #BC0217E
Published April 5, 2024

Counter Flow Series (HTC) Heater Exchanger



Technical Data

Model	HTC15	HTC20	HTC25	HTC42	HTC90
Performance					
Cooling Capacity	15W/°F 27W/°C	20W/°F 36W/°C	25W/°F 45W/°C	42W/°F 75W/°C	90W/°F 162W/°C
ΔT = 9°F / 5°C	135W / 460BTU	180W / 614BTU	225W / 767BTU	375W / 1279BTU	450W / 1535BTU
ΔT = 18°F / 10°C	270W / 921BTU	360W / 1227.6BTU	450W / 1535BTU	750W / 2558BTU	900W / 3069BTU
ΔT = 21.6°F / 12°C	324W / 1105BTU	432W / 1473.2BTU	540W / 1841BTU	900W / 3069BTU	1080W / 3683BTU
Operational Temperature	-40°F to 158°F / -40°C to 70°C				
Sound at 3m (dBa)	51	56	64	66	68
Electrical Data					
Voltage Input	48VDC				
Current Draw (amps)	0.5	0.8	1.7	3.4	4.8
Unit Dimensions					
Height (in/mm)	20.0 / 508		24.0 / 610		46.3 / 1176
Width (in/mm)	12.3 / 312		16.1 / 409		19.4 / 493
Depth (in/mm)	7.6 / 193		11.3 / 286		11.3 / 287
Weight (lb/kg)	22.0 / 10		45 / 20		86.1 / 39
Approvals					
		UL 1995 and Type 4(X)			



Website:
www.voltairesys.com

Phone:
(407) 378-7482

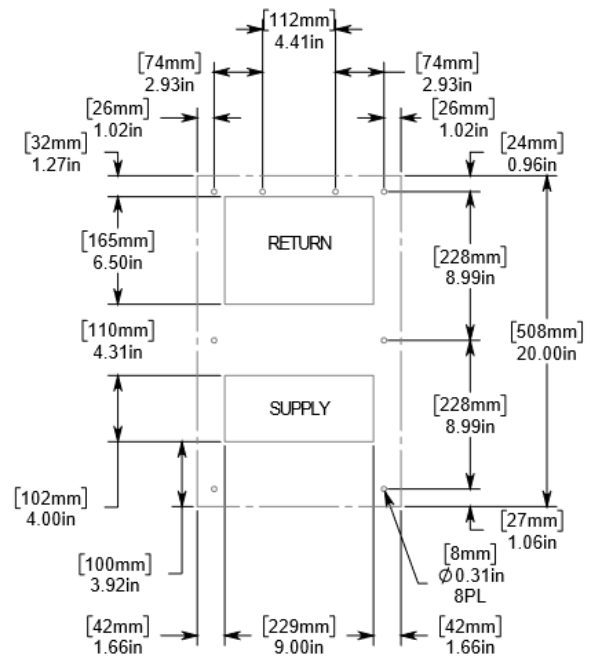
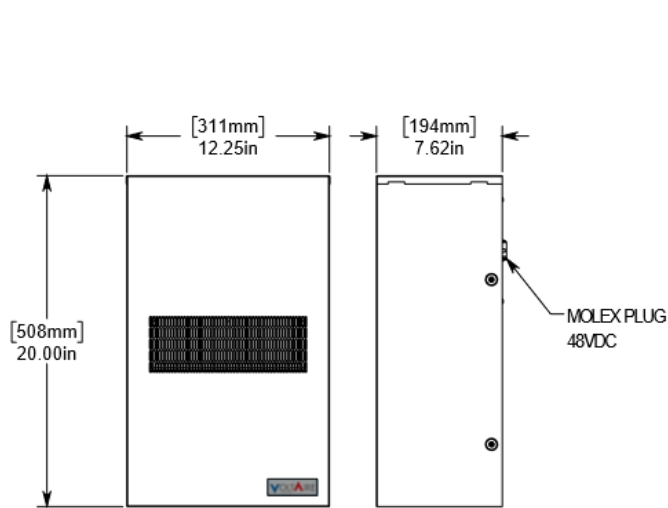
Address:
2900 W. Orange Ave. Ste. 100
Apopka, FL 32703

VoltAire Doc. #BC0217E
Published April 5, 2024

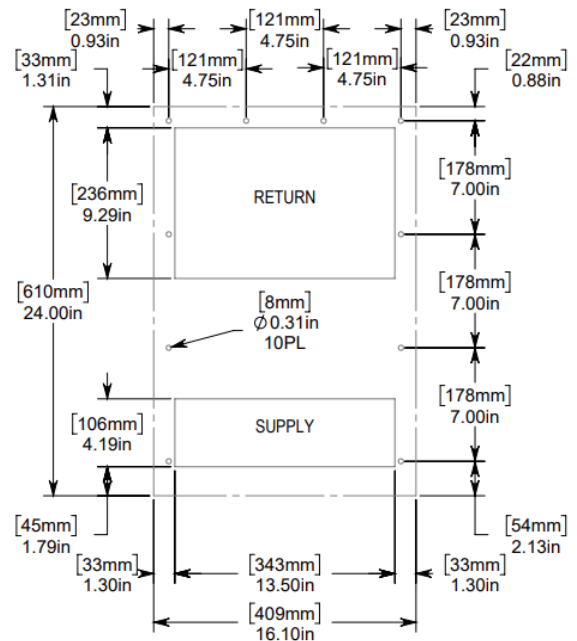
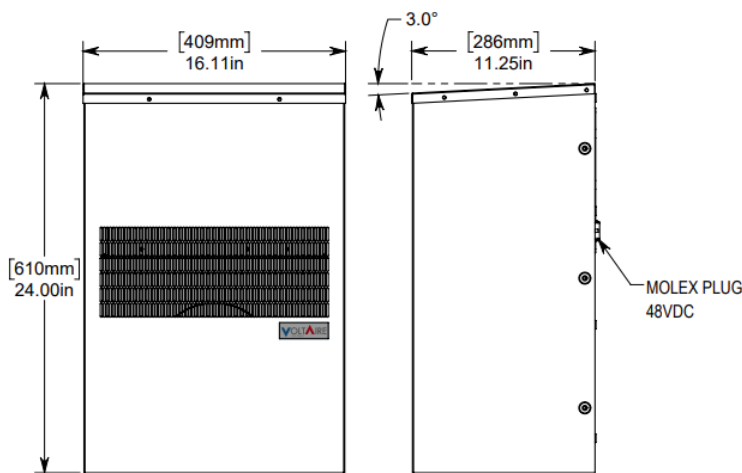
Counter Flow Series (HTC) Heater Exchanger



Mounting Diagrams – Overall Dimensions and Cabinet Cutouts



HTC015, HTC020, HTC025



HTC042



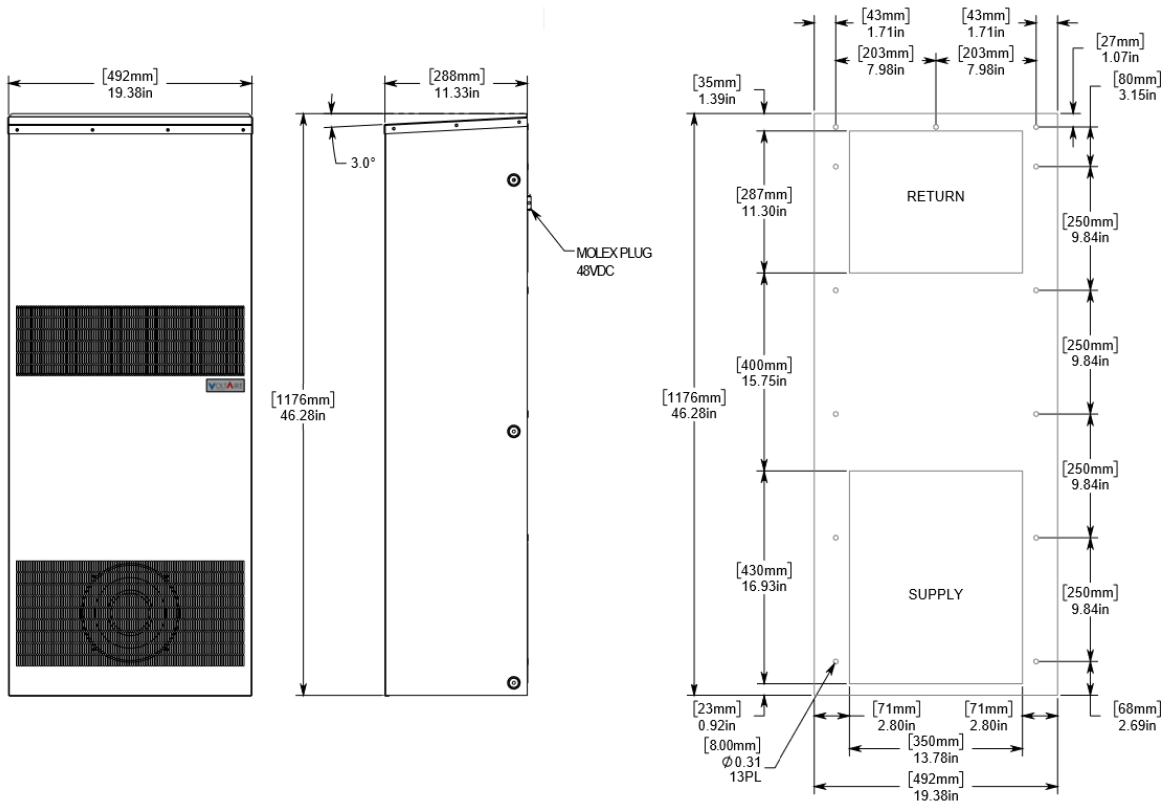
Website:
www.voltairesys.com

Phone:
(407) 378-7482

Address:
2900 W. Orange Ave. Ste. 100
Apopka, FL 32703

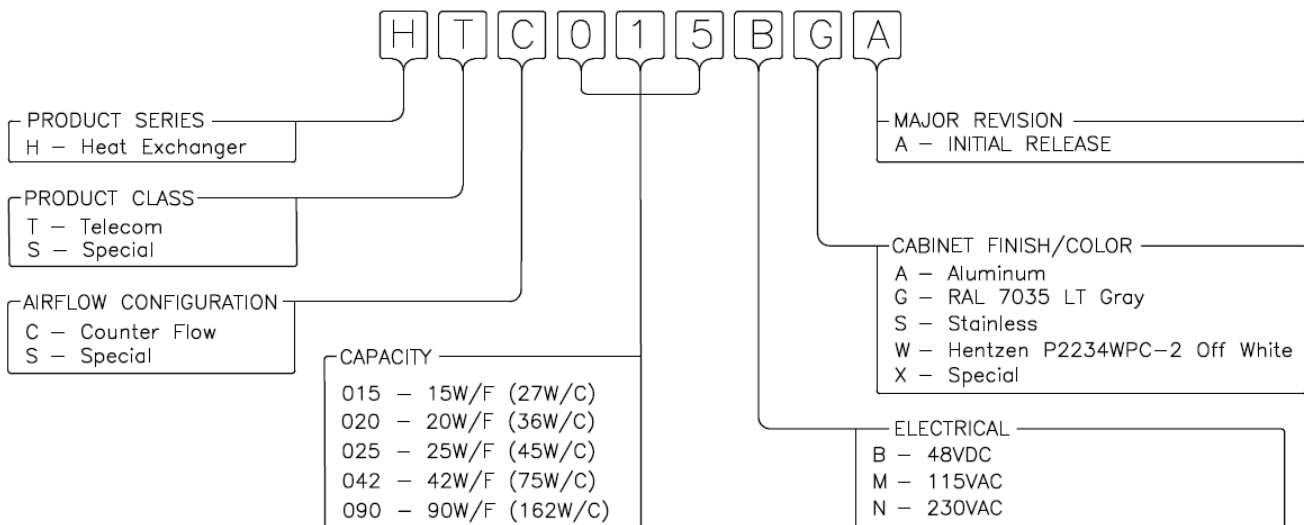
VoltAire Doc. #BC0217E
Published April 5, 2024

Counter Flow Series (HTC) Heater Exchanger



HTC090

Product Nomenclature



Website:
www.voltairesys.com

Phone:
(407) 378-7482

Address:
2900 W. Orange Ave. Ste. 100
Apopka, FL 32703

VoltAire Doc. #BC0217E
Published April 5, 2024