



Proudly Engineered,
Tested and
Manufactured in the
USA



VoltAire Systems PU1600 Series Pressurization Units are designed to provide the ability to apply positive pressure to a building or room. Pressure levels are monitored by an internal controller that modulates airflow to maintain room/building pressurization. Filters prevent any potential dust or debris from entering the pressurized area.

Standard Features

- Panel mounted On/Off switch
- High efficiency ECM motor
- 1" Pre-Filter & 2" MERV13 Final Filter
- Low pressure alarm contacts
- Direct to room discharge
- Building pressure controller with adjustable setpoints with automated pressure control for filter loading
- Customized digital user interface with separate access for Guest and Operator users
- 316 Stainless steel construction

Optional Features

- Paint/Finish
- Low leakage shutdown damper

Applications

- Data centers
- Clean rooms
- Battery rooms
- Equipment buildings
- Manufacturing facilities



Website:
www.VoltAireSys.com

Phone:
(407) 378-7482

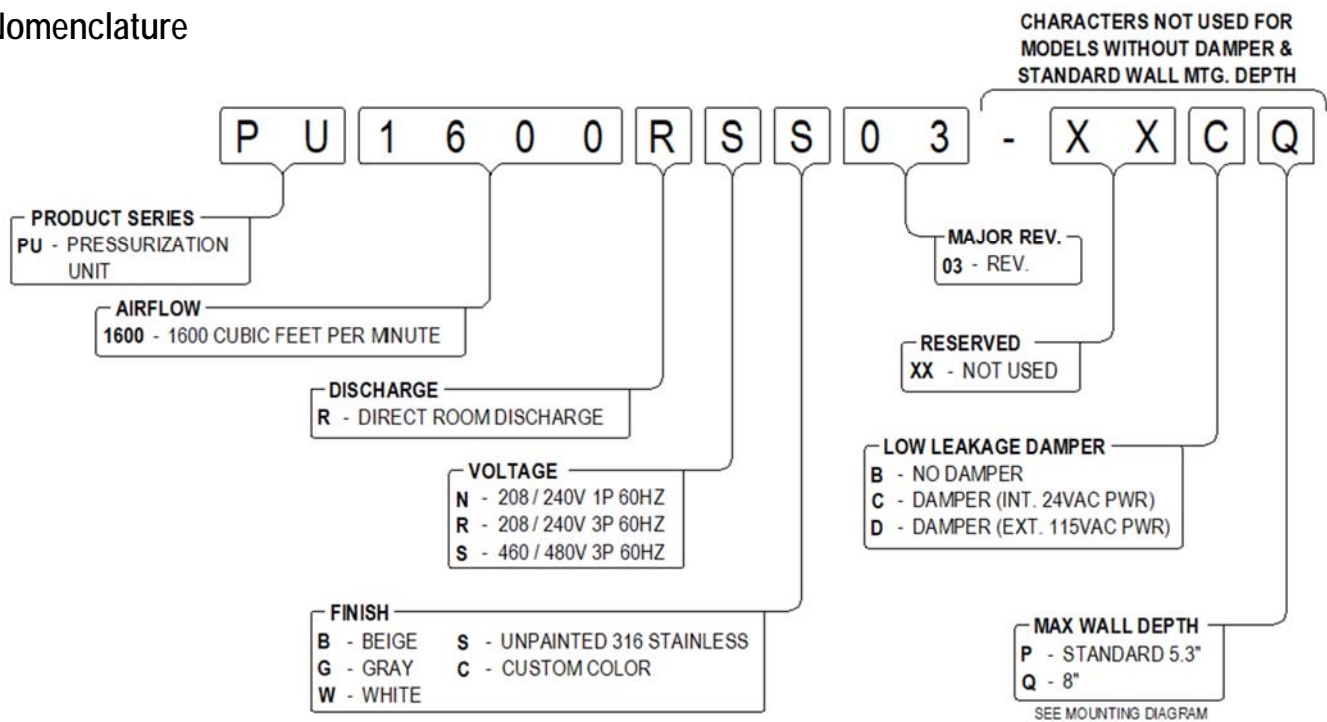
Address:
2900 W. Orange Ave. Ste. 100
Apopka, FL 32703

VoltAire Doc. #DC0117D
Published June 27, 2022

Technical Data

Model	PU1600RN	PU1600RR	PU1600RS
Unit Information			
Rated Airflow	1,600 CFM		
Rated Max Fan Static Pressure	2 In. W.C.		
Operational Temperatures	-13°F to 131°F		
Electrical Data			
Voltage	208/230VAC / 1P / 60Hz	208/230VAC / 3P / 60Hz	460/480VAC / 3P / 60Hz
Minimum Circuit Ampacity	10A	7.5A	5.5A
External Max. Over-current Protection (Field supplied)	10A	10A	10A
Physical Specifications			
Approx. Weight	210 lbs.		

Nomenclature



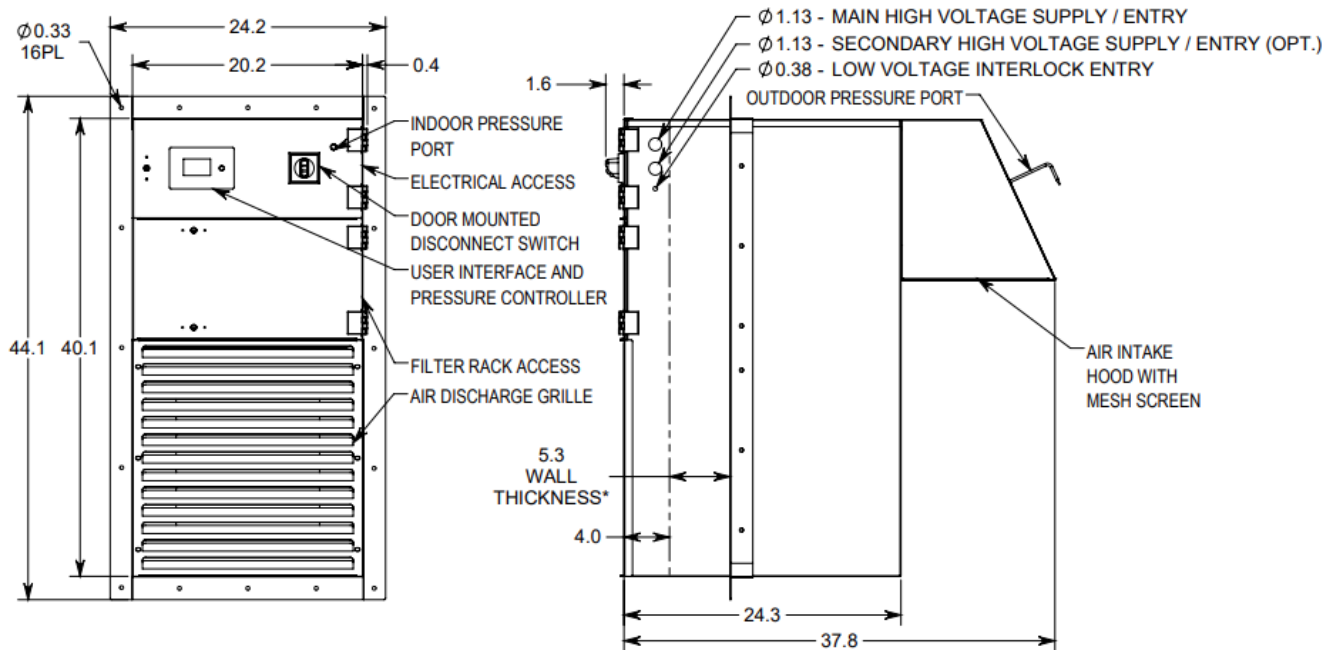
Website:
www.VoltAireSys.com

Phone:
(407) 378-7482

Address:
2900 W. Orange Ave. Ste. 100
Apopka, FL 32703

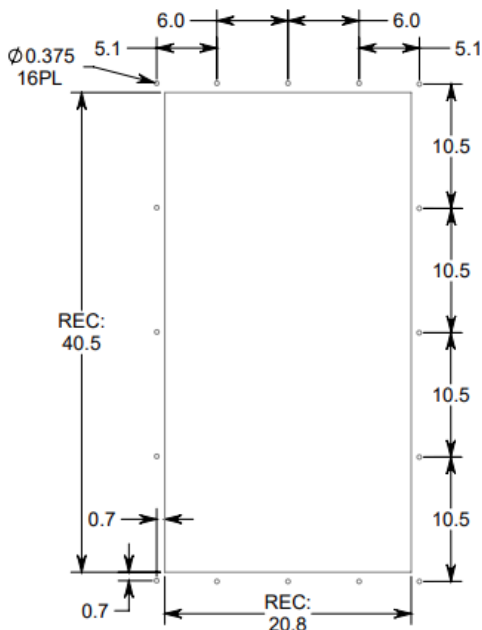
VoltAire Doc. #DC0117D
Published June 27, 2022

Mounting Diagrams – Overall Dimensions (Inches)



* Max allowable wall thickness may vary by model; see nomenclature wall depth options

Cutout Reference (Inches)



Important Application Notes

- HVAC independent humidity control highly recommended for mild to high humid environments due to fresh/outside air pressurization.
- Consider outdoor air load in HVAC sizing calculations to ensure proper heating, cooling, and dehumidification for outside air provided by the pressurization unit. HVAC units provided by others may be required, as the PU1600 unit does not cool, heat or dehumidify the outside/pressurization air prior to discharging into the room/building.
- Positive pressurization requires a well-sealed building/room envelope. Take extraordinary means to ensure envelope sealing.
- If HVAC units are equipped with economizers, special accommodations may be required to the HVAC unit as building/room pressure will be affected by economizer operation. Contact your distributor for additional information.
- Please contact your HVAC distributor or VoltAire for available customizations for your application.



Website:
www.VoltAireSys.com

Phone:
(407) 378-7482

Address:
2900 W. Orange Ave. Ste. 100
Apopka, FL 32703

VoltAire Doc. #DC0117D
Published June 27, 2022