

Narrow Series (AN) Air Conditioners



Proudly Engineered,
Tested / Listed,
and Manufactured
in the USA



VoltAire Systems **AN Series** Air Conditioning Units are designed for high efficiency and high performance heat management of electronic enclosures or equipment.

Standard Features

- UL 484 Listed
- UL Type 4 Enclosure Listed
- RoHS Compliant
- High efficiency rotary compressor**
- Coated condenser coil
- R134a refrigerant for high ambient operation
- GR487 compliant
- Low ambient cooling/head pressure control
- Acrylume corrosion resistant cabinet
- Stainless steel exterior hardware
- Stainless steel base and evaporator pan
- Sloped top
- 6' power cord with plug
- Electrical system with standard off-the-shelf components found at most HVAC parts stores
- Temperature control board with LED status lights, adjustable settings for temperatures, alarms, self-test, and remote temperature sensor



Website:
www.voltairesys.com

Phone:
(407) 378-7482

Address:
2900 W. Orange Ave. Ste. 100
Apopka, FL 32703

VoltAire Doc. #CC0119D
Published: June 25, 2021



Optional Features

- Evaporator side heater element: 500W (AN02) , 750W (115V), or 1000W (230V)
- Condenser fan intake filter
- Custom paint finishes
- Stainless steel external cover and fasteners (Type 4X)
- Ethernet controller with digital display (AN06/AN08 only)

Applications

- Radio base stations
- Telecom shelters and indoor / outdoor OSP cabinets
- Network switching rooms and computer rooms
- Automation control cabinets, process control centers
- CNC machines
- Drive cabinets
- Digital advertisement boards, kiosk display systems
- Power supply cabinets, battery cabinets and rectifier cabinets

Technical Data

Model	AN01		AN02		AN04		AN06		AN08	
Performance at 131°F / 131°F										
Nominal Capacity (BTU)	1,000		2,000*		4,000		6,000		8,000	
Operation Range (°F / °C)	-40 to 131* / -40 to 55									
Electrical Data										
Voltage Input (VAC)	115	230	115	230	115	230	115	230	115	230
MCA (Amps)	3.8	2.3	5.1	3.1	15.0**	5.3	10.2	7.7	16.4	8.7
Unit Dimensions										
Height (in/mm)	15.8 / 400		20.4 / 518		30.0 / 762		36.0 / 914			
Width (in/mm)	7.7 / 194		10.4 / 264		14.1 / 358		11.6 / 296			
Depth (in/mm)	10.0 / 254		10.0 / 254		12.3 / 312		15.8 / 400			
Weight (lbs/kg)	30.0 / 13.6		36.8 / 16.7		65.6 / 29.7		91.3 / 41.1		96.4 / 43.7	
Approvals										
			UL 484 and Type 4 (X)							

* AN02 @ 122°F / 122°F

** Reciprocating Compressor



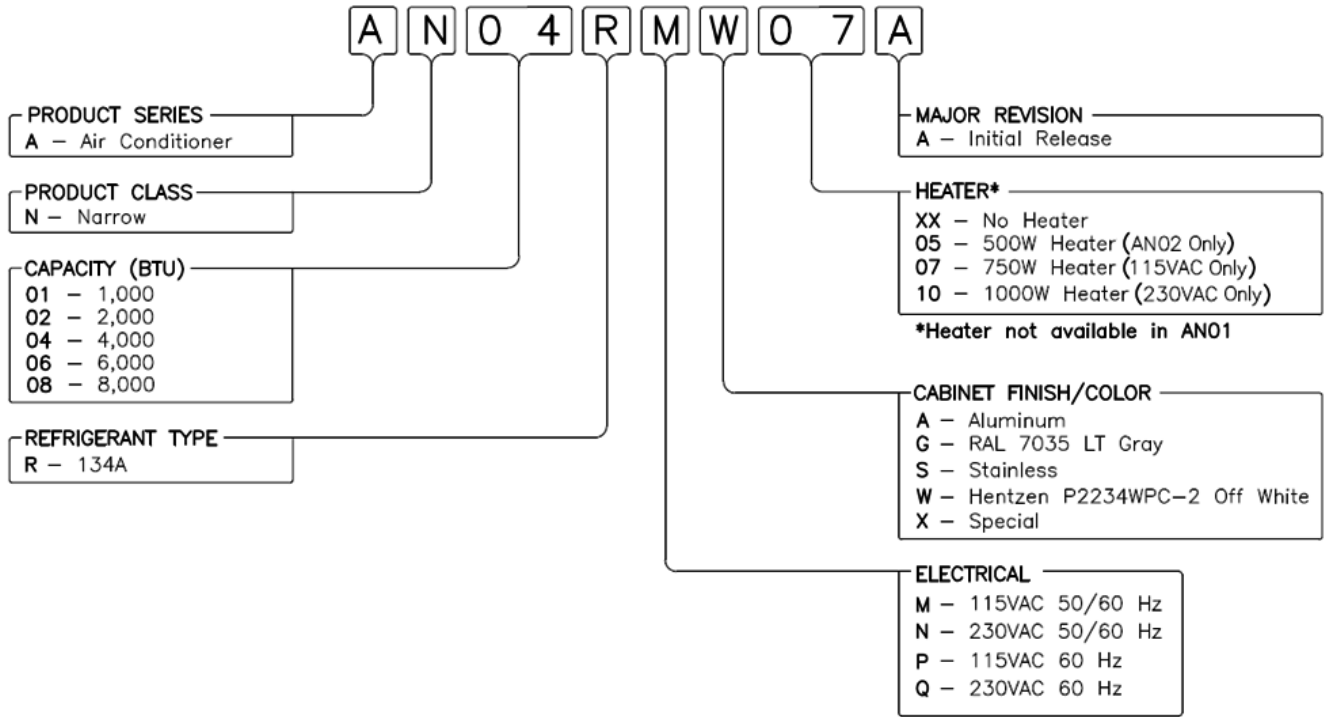
Website:
www.voltairesys.com

Phone:
(407) 378-7482

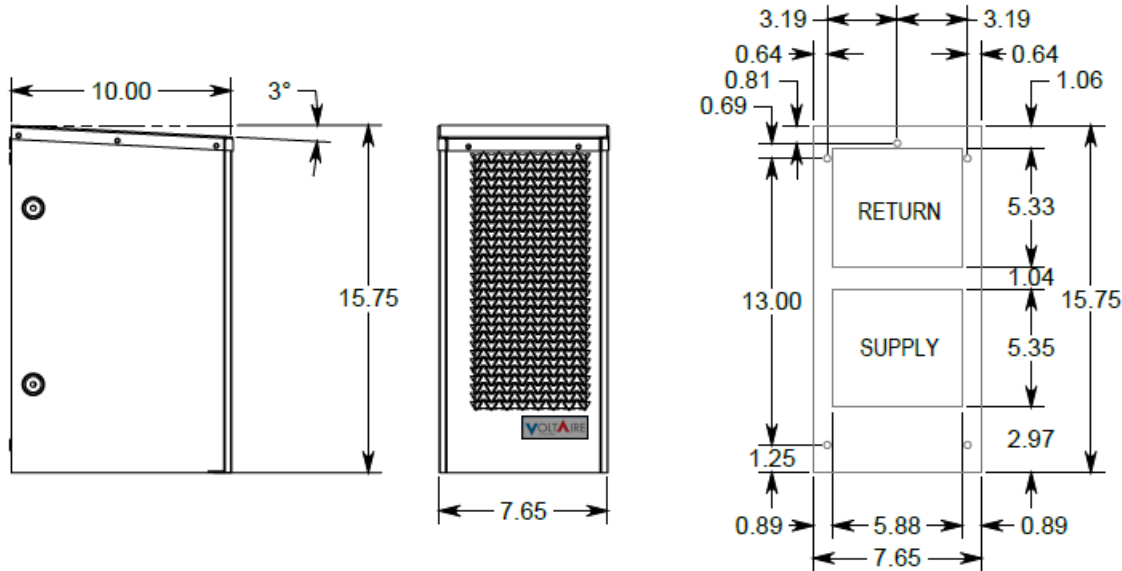
Address:
2900 W. Orange Ave. Ste. 100
Apopka, FL 32703

VoltAire Doc. #CC0119D
Published: June 25, 2021

Product Nomenclature



Mounting Diagrams – Overall Dimensions and Cabinet Cutouts



AN01



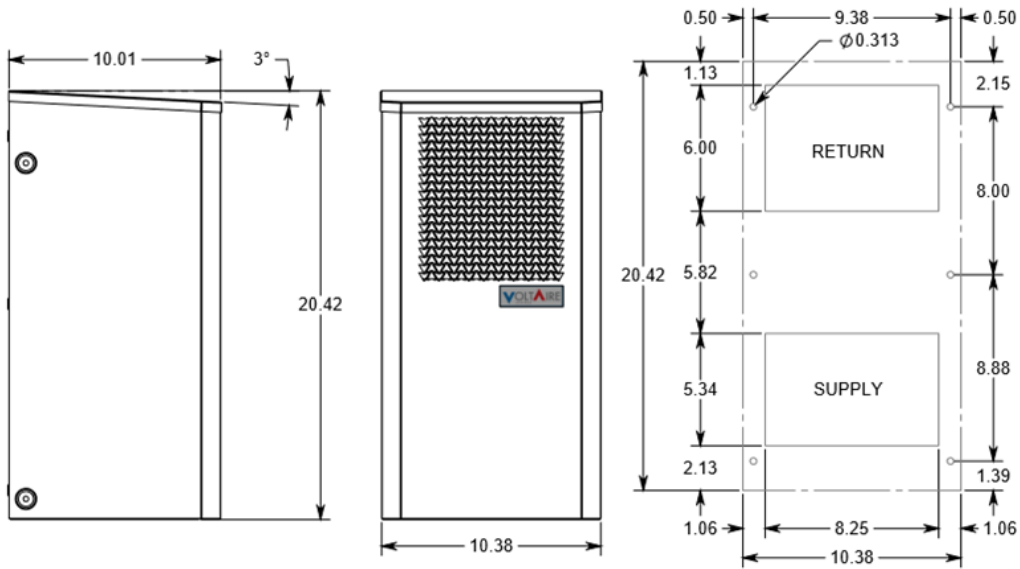
Website:
www.voltairesys.com

Phone:
(407) 378-7482

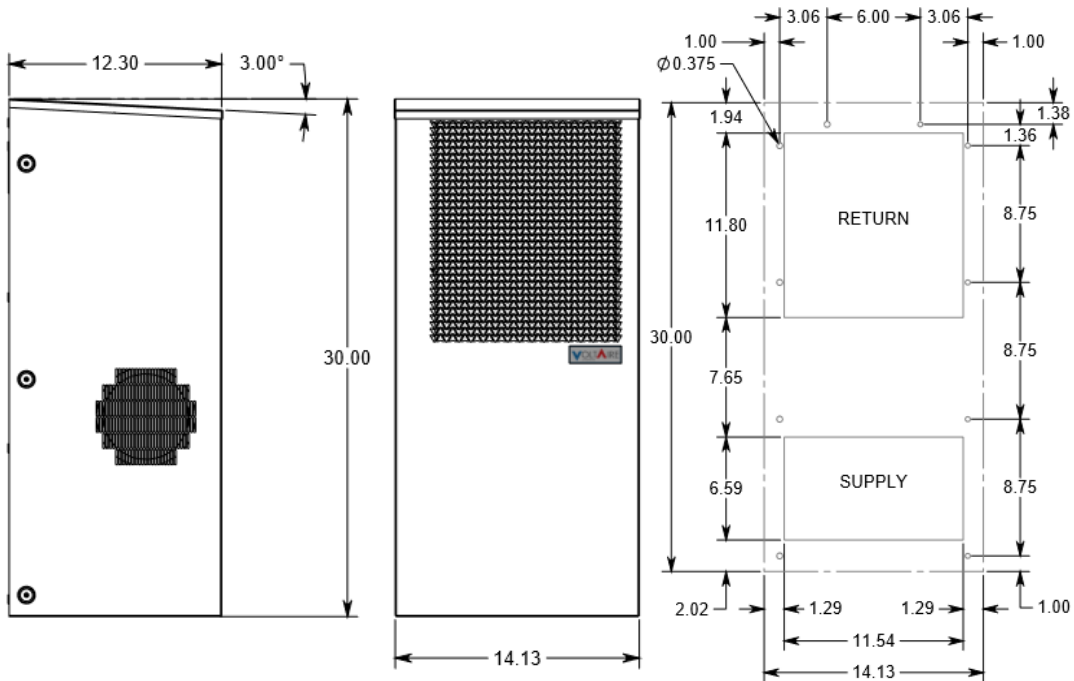
Address:
2900 W. Orange Ave. Ste. 100
Apopka, FL 32703

VoltAire Doc. #CC0119D
Published: June 25, 2021

Narrow Series (AN) Air Conditioners



AN02



AN04

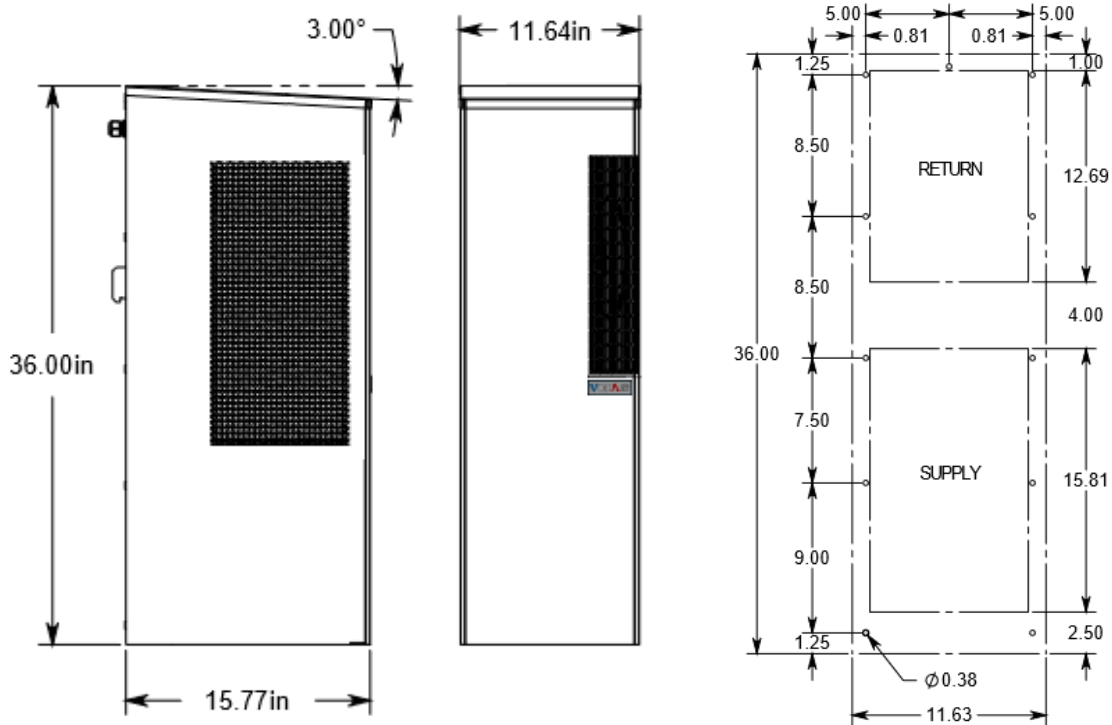


Website:
www.voltairesys.com

Phone:
(407) 378-7482

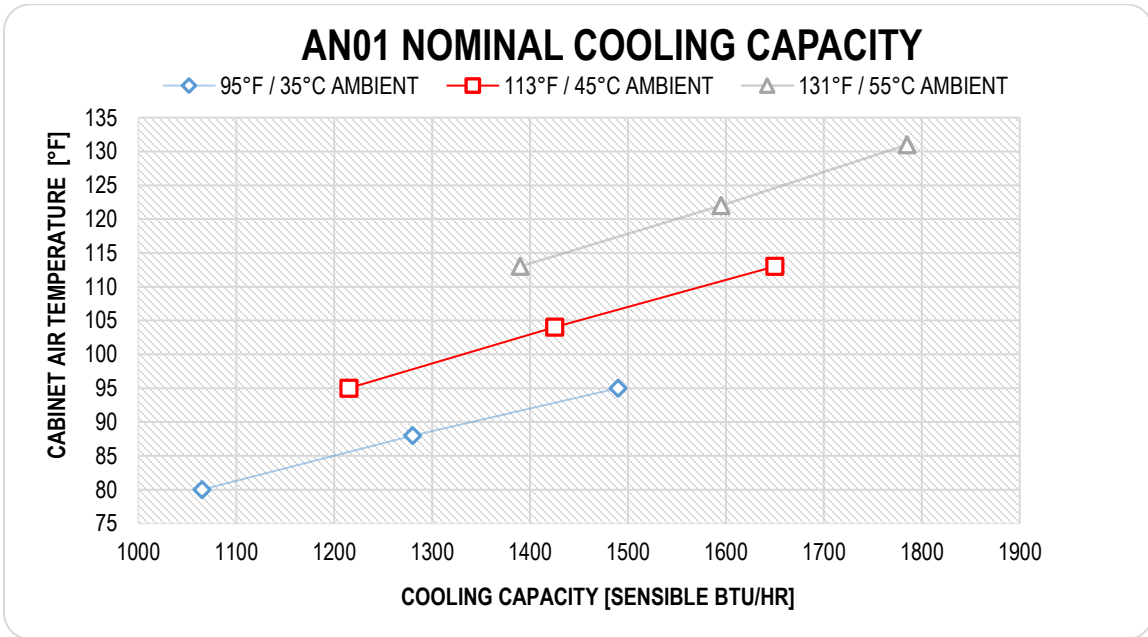
Address:
2900 W. Orange Ave. Ste. 100
Apopka, FL 32703

VoltAire Doc. #CC0119D
Published: June 25, 2021



AN06-AN08

Performance

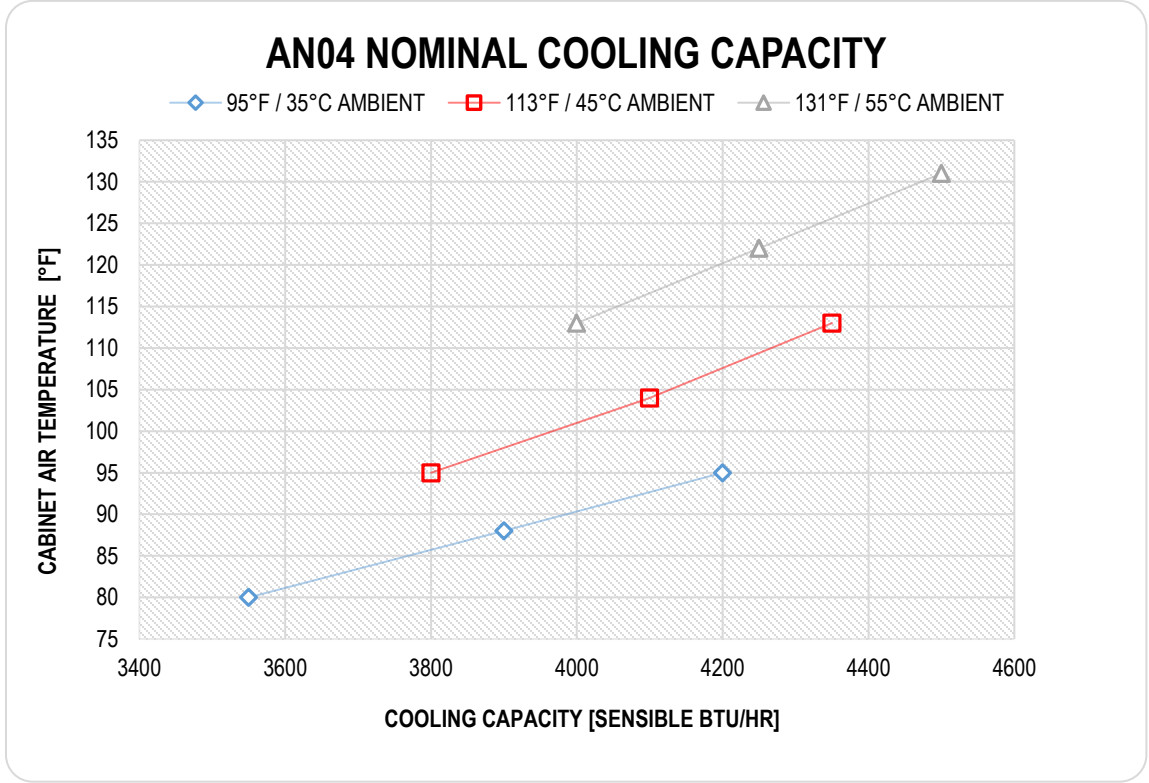
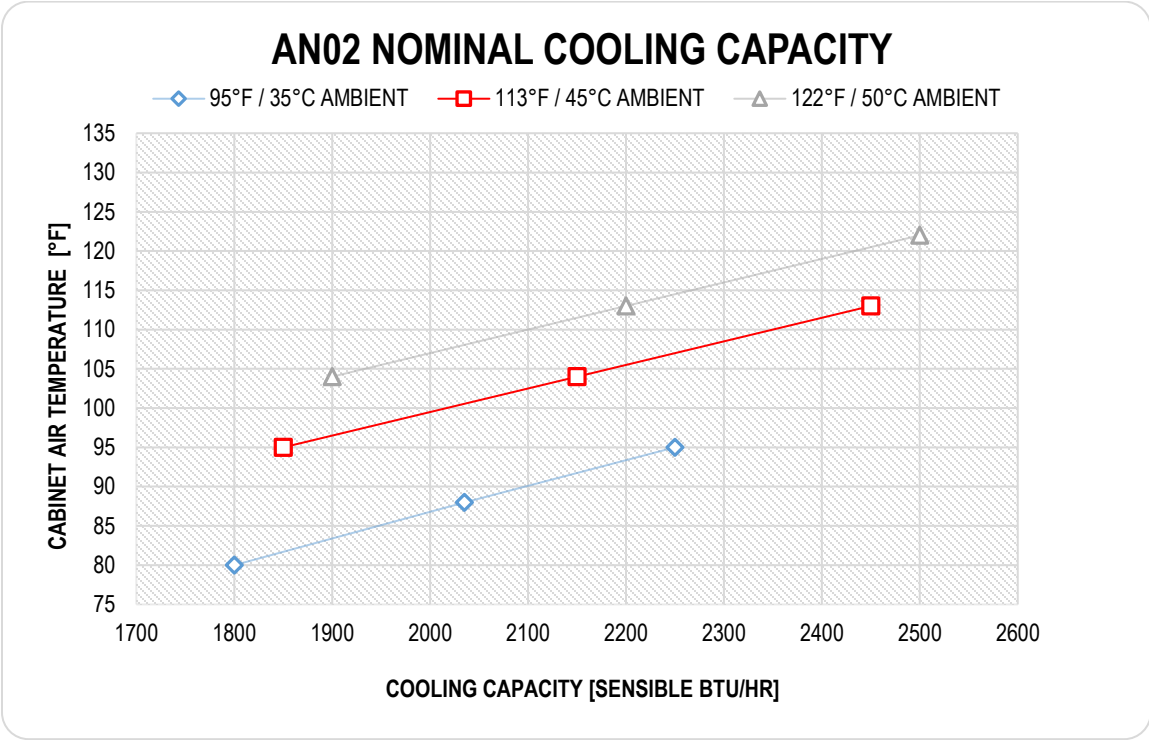


Website:
www.voltairesys.com

Phone:
(407) 378-7482

Address:
2900 W. Orange Ave. Ste. 100
Apopka, FL 32703

VoltAire Doc. #CC0119D
Published: June 25, 2021

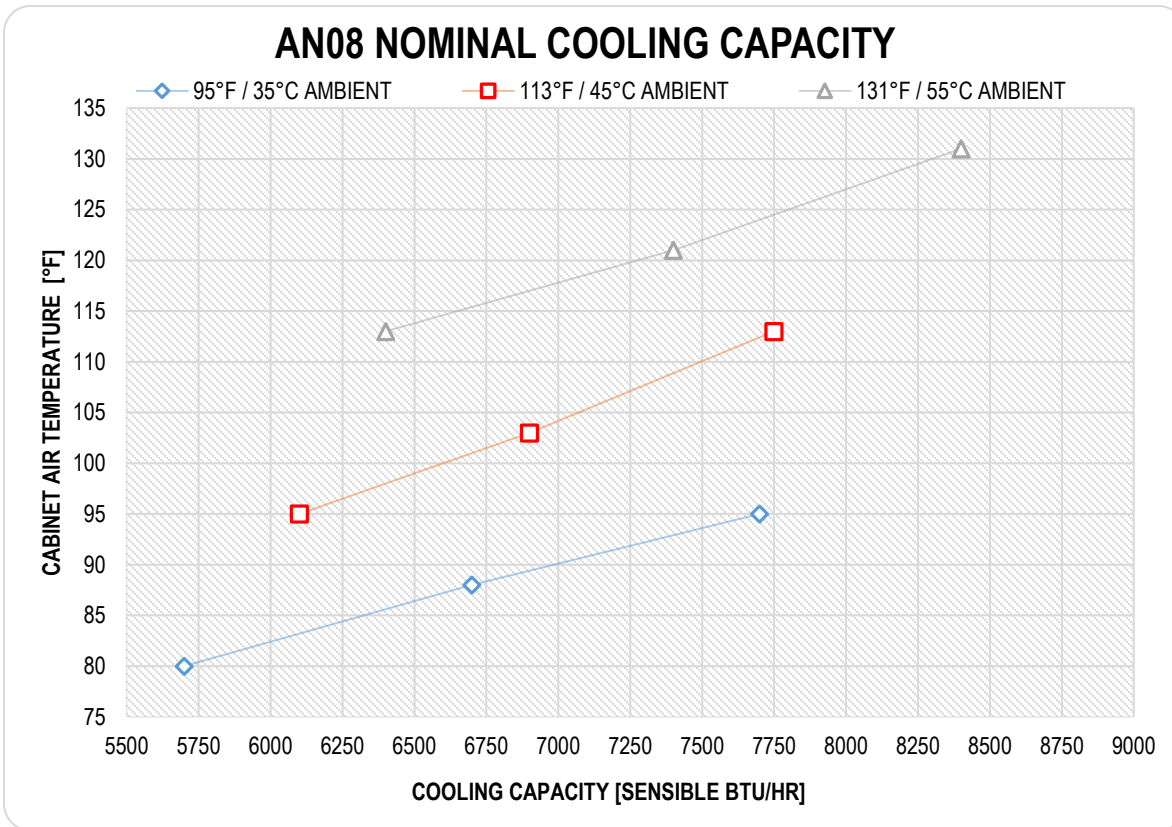
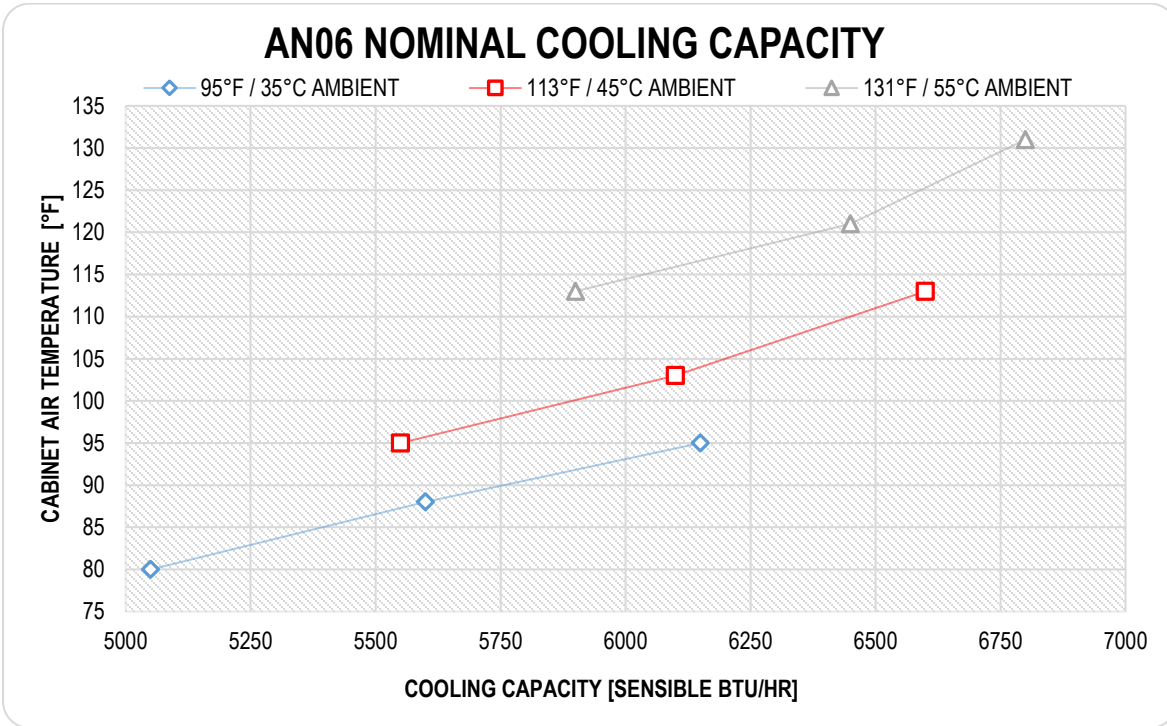


Website:
www.voltairesys.com

Phone:
(407) 378-7482

Address:
2900 W. Orange Ave. Ste. 100
Apopka, FL 32703

VoltAire Doc. #CC0119D
Published: June 25, 2021



Website:
www.voltairesys.com

Phone:
(407) 378-7482

Address:
2900 W. Orange Ave. Ste. 100
Apopka, FL 32703

VoltAire Doc. #CC0119D
Published: June 25, 2021